

KITTITAS COUNTY COMMUNITY DEVELOPMENT SERVICES

411 N. Ruby St., Suite 2, Ellensburg, WA 98926

CDS@CO.KITTITAS.WA.US

Office (509) 962-7506

Fax (509) 962-7682

"Building Partnerships – Building Communities"

June 24, 2008

Max & Cynthia Tilton
1880 Fairview Road
Ellensburg, WA 98926

RE: Tilton Short Plat (SP-08-24)

Dear Mr. and Mrs. Tilton:

The Kittitas County Community Development Services Department has determined that the Tilton Short Plat (SP-08-00024) is a complete application and hereby grants **conditional preliminary approval** subject to the following conditions:

1. Both sheets of the final mylars shall reflect short plat number SP-08-24 and an accurate legal description shall be shown on the face of the final plat.
2. Full year's taxes must be paid on all tax parcel numbers per requirement of the Kittitas County Treasurer's Office.
3. The following plat notes shall be recorded on the final mylar drawings:
 - All development must comply with International Fire Code.
 - The subject property is within or near existing agricultural or other natural resource areas on which a variety of activities may occur that are not compatible with residential development for certain periods of varying duration. Agricultural or other natural resource activities performance in accordance with county, state and federal laws are not subject to legal action as public nuisances. Kittitas County has adopted the right to farm provisions contained in Section 17.74 of the Kittitas County Zoning Code.
 - All three lots of the Tilton Shot Plat SP-08-24 shall share a single ground water withdrawal of no more than 5,000 gallons per day. No more than ½ acre of lawn and garden shall be irrigated from this ground water withdrawal.
 - Per Kittitas County Code 16.18.060, only sprinkler or drip irrigation is allowed for lots 3 acres or less in size.
4. Property owners may be required to demonstrate by metering or other means compliance with the single project withdrawal limitation of 5,000 gallons to be shared between the three lots.
5. Withdrawals of groundwater on the subject property are subject to the rules and regulations adopted and administered by the Washington State Department of Ecology. This includes the use of water for irrigation.
6. Per Kittitas County Environmental Health, soil logs need to be performed and proof of water availability is needed. Evidence of both shall be provided to Community Development Services prior to final approval.
7. This property is within the Cascade Irrigation District boundaries. Proof that all Cascade Irrigation District General Guidelines have been met for all newly created lots shall be provided to Community Development Services prior to final approval.
8. Please see the attached comments from Kittitas County Department of Public Works for plat notes and further issues that must be addressed prior to final approval.

DARRYL PIERCY, DIRECTOR

ALLISON KIMBALL, ASSISTANT DIRECTOR

COMMUNITY PLANNING • BUILDING INSPECTION • PLAN REVIEW • ADMINISTRATION • PERMIT SERVICES • CODE ENFORCEMENT • FIRE INVESTIGATION

Approval of the Tilton Short Plat may be appealed to the Kittitas County Board of Commissioners upon request of any aggrieved party within 10 working days, and shall accordingly be eligible for final administrative approval after July 9, 2008. Administratively approved short plats must be recorded with the County Auditor and shall not be deemed approved until so filed. If you have any questions, please do not hesitate to contact our office.

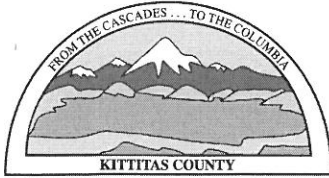
You may appeal this determination pursuant to KCC 15A.07.010 by submitting specific factual objections and a fee of \$500 to the Kittitas County Board of Commissioners (205 W. 5th, Room 108) by July 9, 2008 at 5:00p.m.

Sincerely,

A handwritten signature in black ink, appearing to read 'Trudie Pettit', with a long horizontal flourish extending to the right.

Trudie Pettit
Staff Planner

CC: Encompass Engineering & Surveying
Required parties (KCC 15A)



KITTITAS COUNTY
DEPARTMENT OF PUBLIC WORKS

MEMORANDUM

TO: Trudie Pettit, Community Development Services
FROM: Christina Wollman, Planner II *aw*
DATE: June 10, 2008
SUBJECT: Tilton Short Plat SP-08-24

Our department has reviewed the short plat application and has the following comments:

“Conditional Preliminary Approval” is recommended based on the information provided. See below for conditions of preliminary approval.

“Additional Information Requested”. Prior to continuing the approval process for the submitted development, additional information is requested for analysis.

The following shall be conditions of preliminary approval:

1. Private Road Certification: Private roads serving any of the lots within this development shall be inspected and certified by a licensed professional engineer for conformance with current Kittitas County Road Standards, 9/6/05 edition. Kittitas County Public Works shall require this road certification to be completed prior to the issuance of a building permit for any of the structures within the proposed plat.
2. Turnaround: A cul-de-sac shall be constructed at the end of the road, or a hammerhead constructed no sooner than the entrance to Lot 3. The road shall be certified from Fairview Road to the turnaround.

Hammerhead: Shall meet the requirements of the International Fire Code. Additional easement may be required.

Cul-de-Sac: A cul-de-sac turn-around having an outside right-of-way easement diameter of at least 110 feet shall be constructed at the closed end of all dead-end roads serving 3 or more lots. The driving surface shall be at least 96 feet in diameter. Cul-de-sacs must also conform to the requirements specified by the 2006 International Fire Code. Contact the Fire Marshal regarding any additional cul-de-sac requirements.
3. Private Road Improvements: Access from Fairview Road to the turnaround shall be constructed to meet or exceed the requirements of a High-Density Private Road that serves 3-14 tax parcels. See Kittitas County Road Standards, 9/6/05 edition.

- a. Access easements shall be a minimum of 40' wide. The roadway shall have a minimum width of 20', with 1' shoulders, for a total width of 22'.
 - b. Minimum centerline radius will be 60'.
 - c. Surface requirement is for a minimum gravel surface depth of 6".
 - d. Maximum grade 8% flat, 12% rolling or mountainous.
 - e. Stopping site distance, reference AASHTO.
 - f. Entering site distance, reference AASHTO.
 - g. Maintenance of driveway approaches shall be the responsibility of the owner whose property they serve. The County will not maintain accesses.
 - h. Any further subdivision or lots to be served by proposed access may result in further access requirements.
 - i. All roads located within this development or roads that provide access to this development shall be constructed to current county road standards unless any other maintenance agreements, forest service road easements or state easements require higher road standards. The higher of the road standards shall apply.
 - j. All easements shall provide for AASHTO radius at the intersection with a county road.
 - k. A paved apron shall be constructed at the intersection of the proposed private intersection and the county road.
4. Joint-Use Driveway: A joint-use access shall serve no more than two tax parcels. See Kittitas County Road Standards, 9/6/05 edition.
- a. Access easements shall be a minimum of 20' wide. The roadway width shall have a minimum width of 12'.
 - b. The surface requirement is for a minimum gravel surface depth of 6".
 - c. Maintenance of driveway approaches shall be the responsibility of the owner whose property they serve. The County will not maintain accesses.
 - d. Any further subdivision or lots to be served by proposed access may result in further access requirements.

Single-Use Driveway: A single-use access shall serve no more than one lot. See Kittitas County Road Standards, 9/6/05 edition.

- a. The roadway shall be a minimum of 8' wide with gravel surface.
- b. Maintenance of driveway approaches shall be the responsibility of the owner whose property they serve. The County will not maintain accesses.
- c. Any further subdivision or lots to be served by proposed access may result in further access requirements.

5. Private Road Maintenance Agreement: The applicant shall meet all applicable conditions of any pre-established or required Private Road Maintenance Agreements.
6. Lot Closure: It is the responsibility of the Professional Licensed Surveyor (PLS) to ensure the lot closures are correct and accurate.
7. Access Permit: An approved access permit shall be required from the Department of Public Works prior to creating any new driveway access or performing work within the county road right of way.
8. Addressing: Contact the Kittitas County Rural Addressing Coordinator at (509) 962-7523 to obtain addresses prior to obtaining a building permit. A parcel cannot receive a building permit or utilities until such parcel is identified with a 911 address.
9. Fire Protection: Contact the Kittitas County Fire Marshal regarding any additional access requirements for Emergency Response.
10. Mailbox Placement: The U.S. Postal Service requires that private roads with 6 or more residences install USPS approved Cluster Box Units (CBUs) at a safe location at the mouth of the private road. Contact your local Post Office for location and additional design requirements before beginning construction.

Current Kittitas County Road Standards, as adopted 9/6/05.

Chapter 12 – PRIVATE ROADS

12.12.010 General

Private roads shall meet the following conditions:

1. Private roads shall meet the minimum access requirements of the International Fire Code as adopted by the County, and
2. Shall be designed and constructed in conformance with AASHTO Guidelines for Geometric Design of Very Low-Volume Local Roads (ADT < 400) 2001, as now exists or hereafter amended, and
3. Shall be inspected and certified by a licensed professional engineer for conformance with the above referenced standards. In the alternative, an applicant may request the private roadway to be inspected and subject to the approval of the Public Works Director. If certification by the public Works Director/County Engineer is desired, submission of road plans and necessary testing documentation that confirms compliance with Kittitas County Road Standards is required, and services will be performed on a reimbursable basis, and
4. Permanently established by an easement recorded with the Kittitas County Auditor or right-of-way, providing legal access to each affected lot, dwelling unit, or business, and

5. Will not result in land locking of existing or proposed parcels, and
6. Maintained by the developer or legally responsible owner or homeowners' association or other legal entity made up of all benefited property owners, under the provisions of an acceptable and recorded "Private Road Maintenance Agreement", and
7. Clearly described on the face of the plat, short plat, or other development authorization and clearly signed at street location as a private street or road, for the maintenance of which Kittitas County is not responsible and a disclosure statement of the same is filed with the County Auditor, and
8. The following note shall be placed on the face of the plat, short plat, or other development authorization:

"Kittitas County will not accept private roads for maintenance as public streets or roads until such streets or roads are brought into conformance with current County Road Standards. This requirement will include the hard surface paving of any street or road surfaced originally with gravel."

Please let me know if you have any questions or need further information.



STATE OF WASHINGTON
DEPARTMENT OF ECOLOGY

15 West Yakima Avenue, Suite 200 • Yakima, Washington 98902-3452 • (509) 575-2490

RECEIVED

JUN 18 2008

KITTITAS COUNTY
CDS

June 17, 2008

Trudie Pettit
Kittitas County Community Development
411 N. Ruby St., Suite 2
Ellensburg, WA 98926

Dear Ms. Pettit:

Thank you for the opportunity to comment on the short plat of approximately 4.93 acres into 3 lots, proposed by Max and Cynthia Tilton [SP 08-00024]. We have reviewed the application and have the following comments.

Water Resources

Any ground water withdrawals in excess of 5,000 gallons per day or for the irrigation of more than ½ acre of lawn or noncommercial garden will require a permit from the Department of Ecology.

Chapter 173-150 WAC provides for the protection of existing rights against impairment, i.e. interruption or interference in the availability of water. If water supply in your area becomes limited your use could be curtailed by those with senior water rights.

The Attorney General's Opinion, (AGO 1997 No. 6) regarding the status of exempt ground water withdrawals, states that a group of wells drilled by the same person or group of persons, at or about the same time, in the same area, for the same purpose or project should be considered a single withdrawal and would not be exempt from the permitting requirement contained in RCW 90.44.050, if the total amount withdrawn for domestic use exceeds 5,000 gallons per day or if a total of more than .5 acre of lawn and garden are irrigated.

The Attorney General's opinion suggests that caution should be used in finding developments to be exempt from needing a water right permit if the possibility exists that the development of the project will result in the ultimate withdrawal of water in excess of 5,000 gallons per day or the irrigation of more that .5 acre of lawn and garden.



With the Supreme Court's guidance on the limitations of groundwater exemptions, all lots within this proposed subdivision would be covered by a single groundwater exemption provided this development is not part of a larger project.

To comply with the 5,000 gallon per day limit, Ecology recommends metering the wells for this development. Water use data should be recorded by the property owner of the well monthly. Department of Ecology personnel, upon presentation of proper credentials, shall have access at reasonable times, to the records of water use that are kept to meet the above conditions, and to inspect at reasonable times any measuring device used to meet the above conditions. For metering information, please contact Ken Schuster at (509) 454-4263.

To comply with irrigating up to 0.5 acre of lawn and garden, Ecology recommends requiring property covenants for each lot to limit the amount of the lawn and garden to be irrigated so it adds up to the maximum allowable acreage.

The Department of Ecology encourages the development of public water supply systems, whether publicly or privately owned, to provide water to regional areas and developments.

If you have any questions concerning the Water Resources comments, please contact Breean Zimmerman at (509) 454-7647.

Water Quality

Dividing or platting of a piece of property is often the first step in a proposed development. If a subsequent individual or common plan of development exceeds 1 acre of disturbed ground in size an NPDES Construction Stormwater Permit may be required. Ground disturbance includes all utility placements and building or upgrading existing roads. The process requires going through SEPA, developing a stormwater pollution prevention plan, submitting an application and a 30 day public notice process. This may take 45-60 days. A permit and a stormwater plan are required prior to beginning ground-breaking activities. Please contact Bryan Neet with the Department of Ecology, (509) 575-2808, with questions about this permit

Sincerely,



Gwen Clear
Environmental Review Coordinator
Central Regional Office
(509) 575-2012



To Protect and Promote the Health and the Environment of the People of Kittitas County

June 19, 2008

RECEIVED
JUN 19 2008
KITTITAS COUNTY
GDS

Trudie Pettit
Community Development Services

Dear Trudie:

Thank you for the opportunity to comment on Tilton Short Plat SP-08-00024. In order to meet the requirements set forth by Kittitas County Public Health's Environmental Health Division the following items must be submitted:

- Soil logs for each lot where installation of a septic system is intended
- Well log for the existing well on the property.

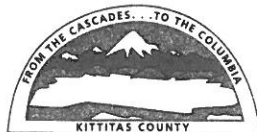
I look forward to assisting you if you have further questions or concerns.

Sincerely,

A handwritten signature in black ink, appearing to read "Holly Myers".

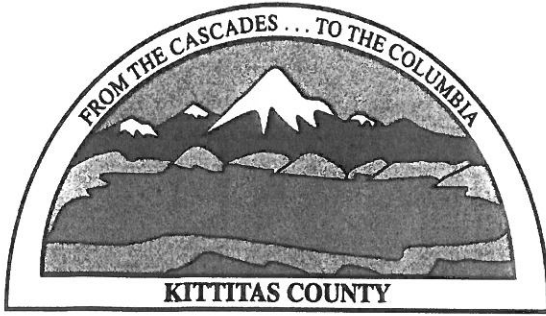
Holly Myers
Environmental Health Director
Kittitas County Public Health
(509)962-7584

**Kittitas County
Public Health Department**
507 N. Nanum Street, Suite 102
Ellensburg, WA 98926
T: 509.962.7515
F: 509.962.7581



www.co.kittitas.wa.us/health/

**Environmental
Health Services**
411 North Ruby Street, Suite 3
Ellensburg, WA 98926
T: 509.962.7698
F: 509.962.7052



PUBLIC HEALTH DEPARTMENT

www.co.kittitas.wa.us/health/

Administration
Community Health Services
Health Promotion Services
507 N. Nanum Street, Ste 2
Ellensburg, WA 98926
Phone: (509) 962-7515
Fax: (509) 962-7581

Environmental Health
411 N. Ruby Street, Ste. 3
Ellensburg, WA 98926
Phone: (509) 962-7698
Fax: (509) 962-7052

May 7, 2008

Max & Cindy Tilton
1880 Fairview Rd.
Ellensburg, WA 98926

RECEIVED
MAY 23 2008
Kittitas County
609

RE: SP-08-00024 Tilton Short Plat submission fee received (\$380.00/receipt #00000981)

Dear Mr. and Mrs. Tilton:

We have received the application for your proposed Plat (located in Section 2, Township 17N, Range 19E.W.M., off of Fairview Road).

Enclosed is a checklist and detailed instructions for completing the Environmental Health requirements.

Your plat application will not be approved until you meet the enclosed requirements.

Once we have received and reviewed the required information, we will notify Community Development Services that you have satisfactorily addressed health department requirements.

If you have any questions or concerns, please feel free to contact our office.

Sincerely,

Holly Myers, Environmental Health Director
Kittitas County Public Health Department

cc: Community Development Services
Encompass Engineering

Enc: Checklist, Instructions for Completing EH Requirements, Soil Log Requirements

Checklist

Prior to receiving approval of the above listed plat you must meet WAC 246-272-205(1) and WAC 246-272-095(1) by:

1. Proving there is an adequate supply of potable water

Choose and follow instructions for one of the five following options:

Group “A” public well

Provide written approval from Washington State Department of Health

Group “B” public well

Schedule a well site inspection or site inspection with Public Health as the first step toward approval of a group B system (the Group B system must be approved prior to plat approval)

Individual wells

Provide a well log or hydrogeological report to prove adequate ground water exists for the proposed number of potable water wells (see page 4). If a well log is used provide potable water test results.

Shared two-party well

Submit existing well log and a water user’s agreement signed by both parties

Public utility water supply

Submit a signed letter of agreement from a public utility official

AND

2. Proving satisfactory sewage disposal

Choose and follow instructions for one of the two following options:

On-site sewage

You must schedule a soil log and prepare the site (dig holes)

Public utility sewer

You must submit a signed letter of agreement from the public utility official

Instructions for Completing Environmental Health Requirements

I. ADEQUATE POTABLE WATER SUPPLY:

PUBLIC UTILITY WATER SUPPLY APPLICANTS

Submit a signed letter of agreement with the responsible public utility official and the developer/owner, granting delivery of potable water for the entire development.

PUBLIC WATER SYSTEMS

All Public Water System applicants must contact a Satellite Management Agency (SMA) before initiating the application process. Evergreen Valley Utilities (509) 674-9642 is currently the only SMA.

PUBLIC GROUP "A" WELL

If you have an existing well and a Department of Ecology issued "water right" for potable usage of the well, Washington State Department of Health (DOH) is the regulatory authority for approving Group A systems. We require written verification that DOH has approved the system prior to final plat approval (see contact information below). If you have not secured a water right for potable use you must contact the Washington State Department of Ecology (Central Region Office) located in Yakima, Washington to begin the process of obtaining a water right. Their contact number is: (509) 575-2800.

PUBLIC GROUP "B" WELLS

Washington State Department of Health and Kittitas County Public Health Department share the regulatory authority for approving Group B Water Systems in Kittitas County. The process for approval includes a source site inspection to approve the location of the proposed well or if the well exists to ensure that it meets the criteria for approval; drilling of the well and/or ensure that the well is located within the subdivision boundaries; completion of the well infrastructure, the workbook and all related documentation including testing and satisfactory results.

****All Group B applications with 3-9 connections** should be submitted to Kittitas County Public Health Department; all Group B applications **10-14 connections** should be submitted to Washington State Department of Health at the addresses provided below.

Kittitas County Public Health Department
Environmental Health Division
411 N. Ruby Street, Suite 3
Ellensburg, WA 98926
(509) 962-7698

Washington State Department of Health
1500 W. 4th, Suite 305
Spokane, WA 99204
(509) 456-2453
ATTN: Tom Justus, Regional Engineer

After all of the aforementioned information is submitted, reviewed, and approved by Washington State DOH, final issuance of the well ID number completes the requirement.

INDIVIDUAL WELLS

Submit well logs or a hydrogeological report with documentation/evidence to support the claim regarding adequate availability of groundwater for the proposed number of potable water wells. This report shall be submitted by a Professional Engineer who practices in the field of hydrology or by a licensed Hydrogeologist. According to Critical Areas Ordinance 17A.08.25, individual wells must be located 50 feet from all property lines. To obtain well logs, contact Department of Ecology at (509) 575-2490.

All applicants for subdivision (short and long plats) utilizing wells shall have a note placed on the face of the final mylars that states:

“Kittitas County relies on its record that a supply of potable water exists. The approval of this division of land includes no guarantee or assurance that there is a legal right to withdraw groundwater within the land division.”

II. SATISFACTORY SEWAGE DISPOSAL

PUBLIC UTILITY SEWER

Submit a signed letter of agreement between the responsible public utility official and the developer/owner or other documentation that provides proof of connection to public sewer.

ON SITE SEWAGE

Soil logs will need to be scheduled and dug at a mutually convenient time. The developer/owner shall provide soil logs as per WAC 246-272A or as amended (see attached soil log instruction sheet). The information obtained will be recorded and placed in the plat file for future reference. The information obtained from these soil logs is for plat approval purposes only and does not constitute a site evaluation in conjunction with the issuance of a permit for any specific lot.

SET BACK REQUIREMENTS

A well must be located 50 feet from a septic tank and 100 feet from a drain field.

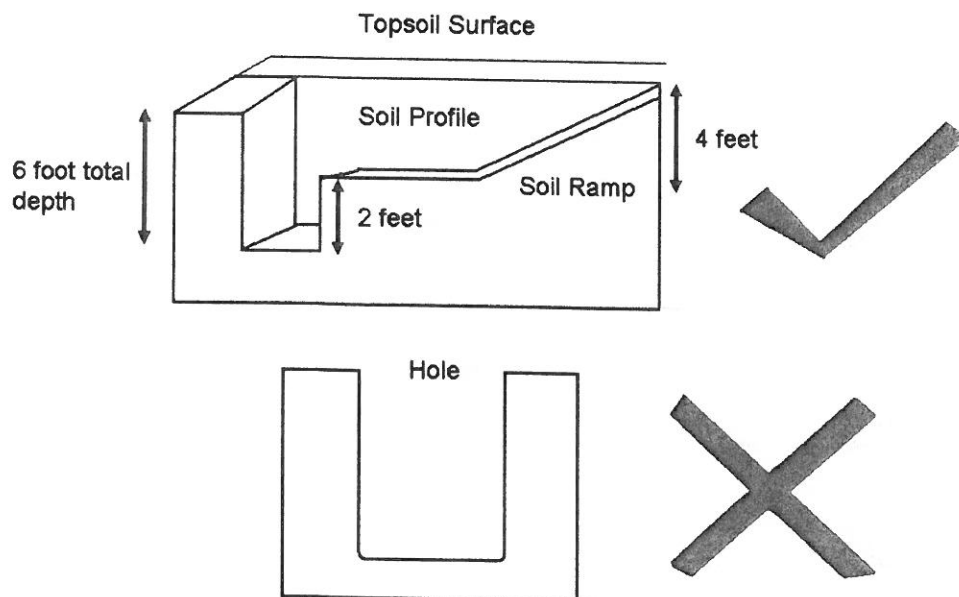
Soil Log Requirements for Land Division

Purpose: The purpose of a soil log is to ensure that future property owners can be assured that they will be able to install a septic system on the property. A soil log is performed to ensure that suitable depth and type of soil is present on the property prior to final plat approval.

Since the type of soil and water source supplying the property can ultimately determine the minimum lot size, it is recommended that soil logs be conducted early in the plat planning process.

Requirements: In order for a soil log to be conducted, test holes must meet specific criteria according to Washington Administrative Code (WAC), Kittitas County Code (KCC) and Labor and Industries safety standards.

- 1) A minimum of one soil log per lot shall be dug to a depth of six feet, unless an impermeable layer such as bedrock, hardpan clay, or the existing water table prevents such a depth from being obtained. In some instances, additional holes may be required to determine if the minimum standards for septic support are present on the lot.
- 2) The design of a test hole shall be sloped to four feet beneath surface, leveled and then dug down an additional two feet for a total depth of six feet (see the diagram below for reference). Such a test hole is designed to prevent possible injury as a result of the surrounding soil bank collapsing into the test hole and to grant the local health officer ease of access to the soil profile.
- 3) In order to sub-divide property at least twelve inches of native, suitable soil must be present at the time the soil log is preformed.
- 4) A soil log does not constitute a site-evaluation. A site evaluation determines the type of septic system required. A soil log only determines whether soils present on the property can support a septic system.



Minimum Land Area Requirements: According to the WAC 246-272 the minimum land area requirement from a public health perspective for subdivision of property is determined by the source of the drinking water and the soil type present to support an on-site sewage system (Table X). These guidelines have been put in place to protect human health and the environment from the potential health hazards that an on-site sewage system imposes. The type of water source available and soil type present must be determined by the local health officer. However, other minimum land area requirements may be subject to local government zoning regulations and restrictions, and it is advisable that property land owners seek advice from Community Development Services at (509) 962-7506 for assistance in this area.

**TABLE X
Minimum Land Area Requirement
Single-Family Residence or Unit Volume of Sewage**

Type of Water Supply	Soil Type (defined by WAC 246-272A-0220)					
	1	2	3	4	5	6
Public	0.5 acre	12,500 sq. ft.	15,000 sq. ft.	18,000 sq. ft.	20,000 sq. ft.	22,000 sq. ft.
	2.5 acre ¹					
Individual, on each lot	1.0 acre	1 acre	1 acre	1 acre	2 acres	2 acres
	2.5 acres ¹					

¹ See WAC 246-272A-0234(6).

Other Considerations: Since open holes present a potential danger to people, livestock, wild animals, and vehicles, it is advisable that such a hole be roped off or covered to prevent unwanted entry or marked to caution and facilitate finding. After the soil log has been performed the hole may be filled in by the property owner or contractor to eliminate the potential hazard.

Scheduling a soil log: Currently, soil logs are performed on a weekly basis by an Environmental Health Specialist. To schedule a soil log please contact the Environmental Health Office at 411 N. Ruby Street (509) 962-7506 to arrange an appointment.